

nexus

commercial power and technology

RCD Protection Product guide



RCD Protection modules offer an easy route to ensuring an installation complies with BS6396.

below-desk power

- 16A rated 30mA built in RCD
- Hard-wired input to GST18 output
- White and black finishes
- Retrofittable, offers new or existing installations easy compliance with BS 6396:2008+A1:2015 (Where no fixed wiring system is providing RCD protection to the desk power module)
- Fully compatible with our nexusPRO™ range of extrusions and accessories
- BS6396 compliant
- CE and UKCA marked, and independently tested
- ASTA Approved

The ASTA quality mark is evidence that the product has been independently tested to comply with the relevant clauses of the applicable standards





NEX3031x

type	Latching mechanism, Type AC, 40ms Double pole RCD
housing colour (x)	W B
connections	Hard-wired input / GST18 output
thermal reset	x4 3A
ratings	16A, 30mA
standards & approvals	CE, UKCA, ASTA Diamond Mark, BS 7288:2016, BS 6396 compliant

Voltage:
220-240V ac

Frequency:
50/60Hz

Rating:
16A

RCD Rating:
30mA

Trip Speed:
40 ms

Trip Contacts:
Double pole

RCD Type:
Latching mechanism, Type AC

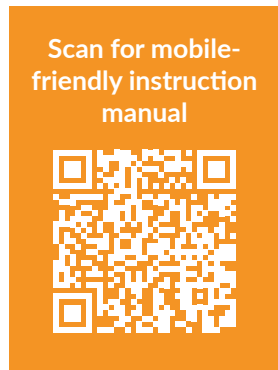
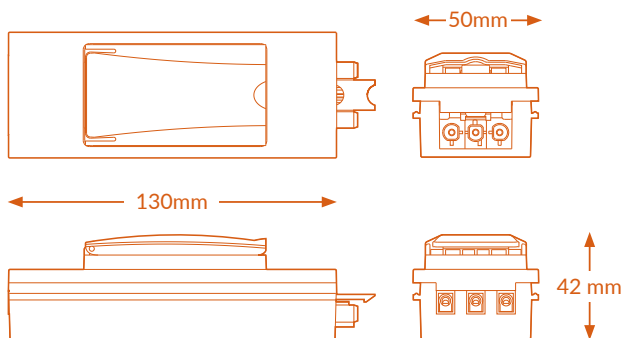
Terminal Capacity:
2x 2.5mm², 1x 4mm²

Standards:
CE, UKCA
ASTA approved License No. 1452
BS 7288:2016, BS 6396 compliant

Construction:
Polycarbonate, VO rated ABS/PC
blend current carrying plastic.

Connectors:
Screw terminal input (L, N, E)
3 pole GST18 output

Mounting options:
Use nexus 3021 below-desk
extrusion & accessories



nexus

www.nexus.uk | contact@nexus.uk | 01952 238100



Nexus_UK



@TweetNexusUK



NexusUK



NexusUK