



above-desk | below-desk | beyond-desk

nexus

RCD protection module

NEX3031 instructions

Safety warning

For your safety, this product must be installed in accordance with local Building Regulations.

If in any doubt, or where required by the law, consult a competent person who is registered with an electrical self-certification scheme.

Further information is available online or from your Local Authority.

Please read carefully and use in accordance with these safety wiring instructions. Before commencing any electrical work ensure the supply is switched off at the mains. Wiring should be in accordance with the latest edition of the IET regulations (BS 7671).

To prevent fire hazard always use cable of the correct rating & type for the application.

Warning do not exceed the load rating of this device as stated on the rear of the product.

Safety advice

What is a safety RCD module?

Your safety RCD module continuously monitors the power supply to any electrical appliance plugged in to it and cuts off the power within 40 milliseconds

continued...

if an earth current fault is detected. This is fast enough to prevent a fatal electric shock.

Electrical equipment can become dangerous if the wiring becomes loose, if they or their power cords become damaged, or if they get wet.

Electrocution is also possible if fingers, spillages or other conductive bodies enter the appliance. In all these cases your safety RCD socket will instantly cut the electricity before you or a colleague receives a potentially fatal electric shock.

Latching operation

If the unit loses supply, perhaps in a power cut or when a hazardous earth fault occurs, the RCD will trip and cut the power supply.

When the supply resumes through the RCD, the RCD will revert to the original state and supply power without the need for resetting.

DUE TO LATCHING OPERATION, FOR SAFETY THIS PRODUCT SHOULD NOT BE USED FOR ANY EQUIPMENT THAT WOULD CAUSE A HAZARD IF RE-ENERGISED WITHOUT SUPERVISION.

Wire identification

Note - As from 1st April 2004 new colour codes were introduced:

EARTH = Green/Yellow

NEUTRAL = Black (pre Apr 04) / Blue (after Apr 04)

LIVE = Red (pre Apr 04) / Brown (after Apr 04)

continued...

Connecting in to the NEX3031

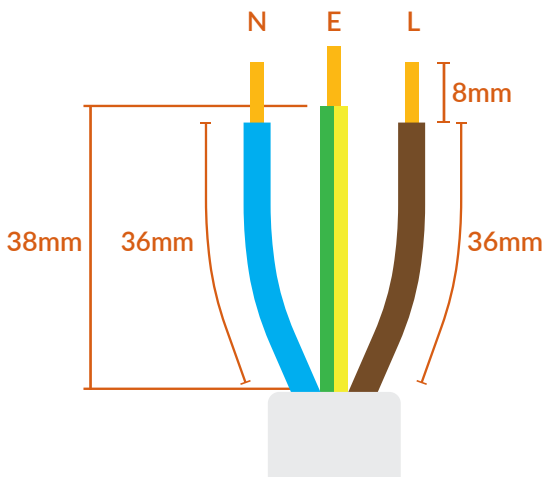
- ! The NEX3031 must be used with a NEX300 series enclosure or extrusion. The NEX3031 should never be used without an enclosure, it has not been designed as a standalone product.

1 This instruction manual is for the NEX3031 RCD module only and must be used in conjunction with your chosen extrusion/housing instructions for specific cable restraint, earthing requirements, and further installation steps.

2 Prepare the input cable, which must be approved to BS EN 50525-2-31:2011

HO5VV-F - Strip back the outer sheathing to reveal 44mm for Live and Neutral cables, 46mm for Earth. Strip 8mm off each cable to reveal the conductor.

HO7V-R - Strip 8mm off each cable to reveal the conductor.

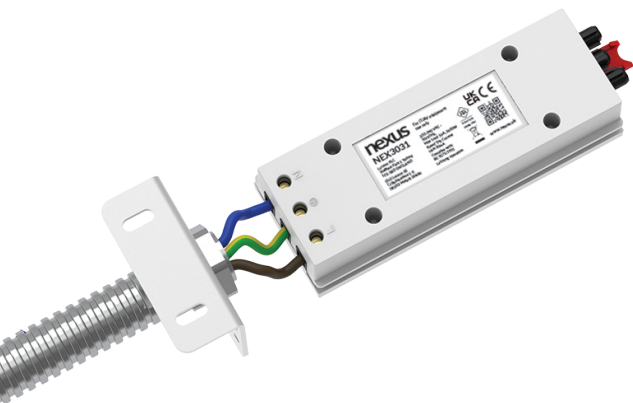


continued...

3

Loosen the terminal screws and insert the correct coloured wire into each terminal and tighten.

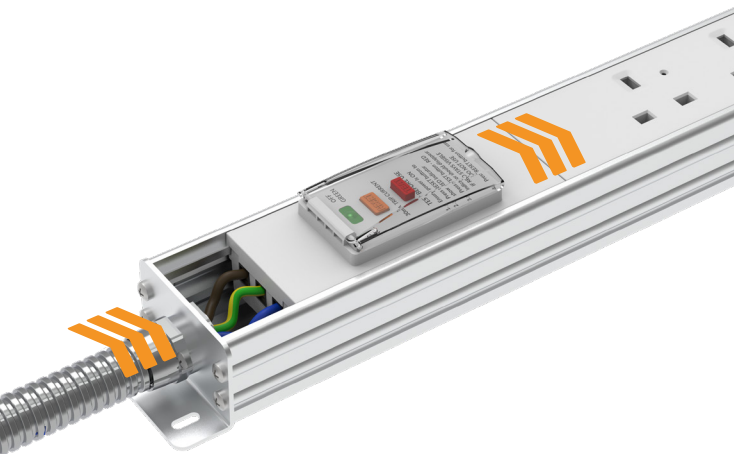
Ensure only bare ends enter the terminal and do not over tighten the terminal screws.



4

Slide into extrusion or assemble into a NEX300 housing.

Ensure end caps and cover plates are fitted as per extrusion or housing instructions.



Note: Cover plate removed for clarity

continued...

Test procedure - TEST BEFORE USE

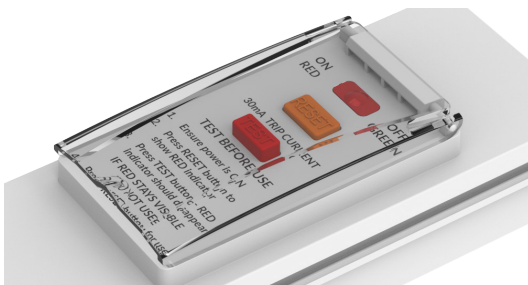
- 1 Ensure power is on to the NEX3001 - press the RESET button, the RED indicator should appear.



- 2 Press the TEST button - the RED indicator should disappear, **DO NOT USE IF THE RED INDICATOR REMAINS.**



- 3 Press the RESET button - the RCD has now been set for safe use provided the RED indicator shows in the clear window.



continued...

Service conditions

This RCD is only suitable for use under the following conditions of service:

- 1 An ambient temperature range of -5°C to $+40^{\circ}\text{C}$, with an average value not exceeding $+35^{\circ}\text{C}$ over one full day.
- 2 An altitude not exceeding 2000m above sea level.
- 3 An atmosphere not subject to excessive pollution by smoke, chemical or flammable fumes; salt-laden spray; prolonged periods of high humidity or other abnormal conditions.
- 4 Not suitable for exposure to direct radiation from the sun or other source of heat likely to raise the temperature above the designated ambient, nor may it be suitable for subjection to excessive vibration.

Where service conditions differ from those prescribed above the advice of the manufacturer or responsible vendor should be sought.

Technical

Voltage: 220-240V ac

Frequency: 50/60Hz

Rating: 16A

RCD rating: 30mA

Trip speed: 40 ms

Trip contacts: Double pole

RCD type: Latching mechanism, Type AC

Terminal capacity:
 $2 \times 2.5\text{mm}^2$ $1 \times 4\text{mm}^2$

ASTA Approved

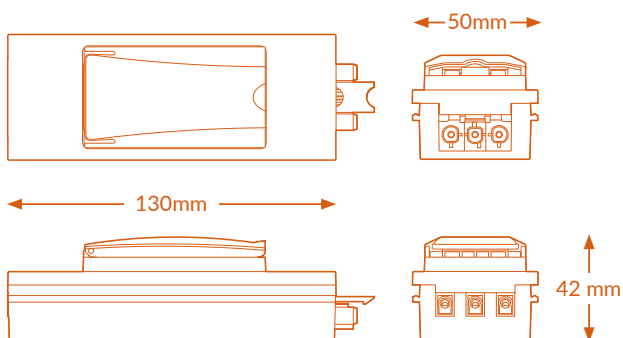
The ASTA quality mark is evidence that the product has been independently tested to comply with the relevant clauses of the applicable standards.



Intertek

Lic No. 1417

continued...



Batch code explanation

yyWxx Manufacturing date code, year of manufacture (yy) and week of manufacture (Wxx)

Address / Helpline

If you need further technical assistance you can get in touch with our **Technical Helpline** on

+44 (0)3300 249 279

email: support@nexus.uk

Luceco PLC

Stafford Park 1
Telford TF3 3BD
ENGLAND

(EU) Luceco SE

C/ Bobinadora 1-5
08302 Mataró
SPAIN

continued...

Environmental protection



This symbol is known as the “Crossed-out Wheelie Bin”.

This product should not be disposed of with general household waste.

Some chemicals contained within electrical/electronic products can be harmful to health and environment. Only dispose of electrical/electronic items in separate collection schemes, which cater for the recovery and recycling of materials contained within. Your co-operation is vital to ensure the success of these schemes and for the protection of the environment.

nexus

www.nexus.uk | contact@nexus.uk | 01952 238100



Nexus_UK



@TweetNexusUK



NexusUK



NexusUK