



above-desk | below-desk | beyond-desk

# cmd.

## Desktop power module

### OSL101 instructions

#### **Safety warning**

For your safety, this product must be installed in accordance with local Building Regulations.

**If in any doubt, or where required by the law, consult a competent person who is registered with an electrical self-certification scheme. Wiring should be in accordance with the latest edition of the IET regulations (BS 7671) . If the unit is being installed in an office environment by means of a 13A plug please ensure BS6396 is adhered to.**

Please read carefully and use in accordance with these safety wiring instructions.

Before commencing any electrical work ensure the supply is switched off at the mains. To prevent fire hazard always use cable of the correct rating & type for the application.

**Warning do not exceed the load rating of this device as stated on the rear of the product.**

#### **Built in protection**

This product has been designed to protect connected equipment as well as end user. Each socket outlet has protection in the form of a 3A resettable thermal fuse that detects overloads or any defective equipment that may be connected.

[continued](#) v

[click for nexus.uk](#)

## Connecting to the desk

Fully unscrew the adjustable clamp. Place the bracket on the back of the desk and tighten the adjustable clamp.

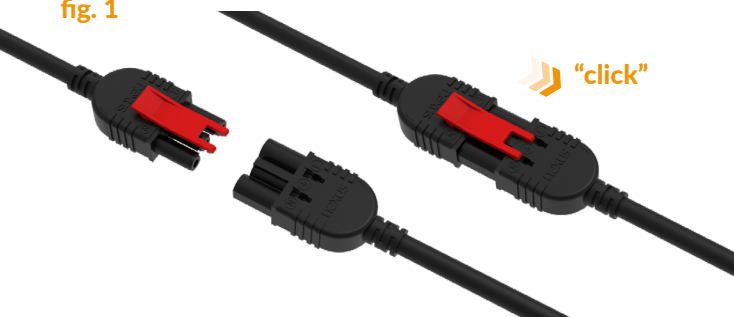
Suitable for desks 12-30mm. If your desk is deeper than 30mm, contact CMD to order part number NEX10062 (deep clamp bracket).



## Connecting to the power supply

Push the GST connector from the OSL101 in to a NEX1003xx Starter Lead (fig. 1) or NEX3001 Power Module (fig. 2) until the clip engages and you hear a “click” (additional Weiland clip also supplied to suit standard CMD starter lead).

fig. 1



continued v

click for [nexus.uk](https://www.nexus.uk)

fig. 2



## Resetting the built in protective device

If there is no power due to an overloaded socket or defective equipment being connected, the built in protection switch will operate. A red indicator will be raised and the protection switch will need resetting.

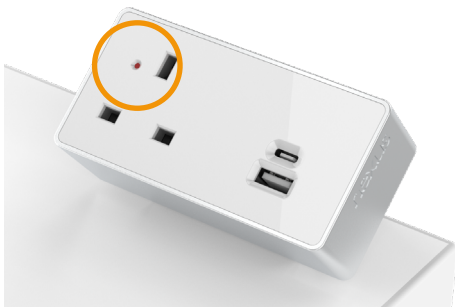
Please follow the below steps to reset the device:

- 1 Remove plug.



2

Confirm the red indicator beneath the plug has risen.



3

Locate a tool and insert it into the reset opening.



4

Push until it clicks.



5

Remove tool.



6

Once the fault has been investigated and rectified reconnect the equipment.



## USB operating guidelines

USB smart charging technology detects the connected devices and adjusts the charging pattern and output to suit. When the device is fully charged the USB outlets revert to low energy standby mode.

The smart technology constantly monitors the charge output and will shut down in the event of any overload condition, thus protecting the connected devices.

Total charger current can be delivered from one USB socket or divided between outputs as required.

continued v

click for [nexus.uk](https://www.nexus.uk)

The speed of charging will depend on the battery capacity of the device and not charge output of the socket.

The total output current achieved is dictated by the specific device being charged and other external factors, such as the quality of charging cable being used.

For more information and trouble shooting visit our website FAQs.

The USB circuits in this socket are designed to withstand insulation resistance tests at 500V. A reading of 10M minimum is typically achieved by the USB socket.

USB Output	Average active efficiency	Efficiency at low load (10%)
<b>Type C:</b>		
5.0V DC, 3.0A 15.0W MAX	>81.39%	>72.48%
9.0V DC, 3.0A 27.0W MAX	>86.62%	>77.30%
12.0V DC, 2.5A 30.0W MAX	>86.95%	>77.70%
15.0V DC, 2.0A 30.0W MAX	>86.95%	>77.70%
20.0V DC, 1.5A 30.0W MAX	>86.95%	>77.70%
<b>Type A:</b>		
5.0V DC 3.0A 15.0W MAX	>81.39%	>72.48%
9.0V DC 3.0A 27.0W MAX	>86.62%	>77.30%
12.0V DC 2.25A 27.0W MAX	>86.62%	>77.30%
<b>No load power consumption</b>	<b>USB Port Number</b>	
<0.10W	2 Ports (1 type A, 1 type C)	

## Technical

**Voltage:** 220-250V ac

**Frequency:** 50/60Hz

**Rating:**

1 socket: 3A 720W

2 socket: 6A 1440W

3A individual resets (2 resets for OSL101x2x models)

**Construction:**

Polycarbonate, VO rated ABS/PC blend current carrying plastic. Aluminium casing.

**Standards:**

Tested to BS5733, BS1363-2

**Connectors:**

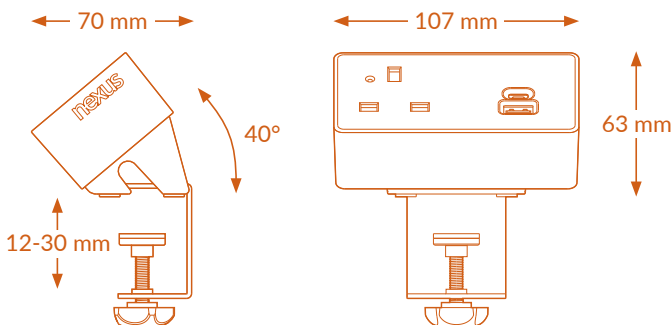
1 socket (OSL101x1x, OSL101x3x),

2 sockets (OSL101x2x),

3 pole GST18 input

**Mounting options:**

Standalone using included bracket. 12-30mm desk thickness.



**ASTA Approved**

The ASTA quality mark is evidence that the product has been independently tested to comply with the relevant clauses of the applicable standards.



continued 

click for [nexus.uk](https://www.nexus.uk)

## Service conditions

This module is only suitable for use under the following conditions of service:

- 1 An ambient temperature range of  $-5^{\circ}\text{C}$  to  $+40^{\circ}\text{C}$ , with an average value not exceeding  $+35^{\circ}\text{C}$  over one full day.
- 2 An altitude not exceeding 2000m above sea level.
- 3 An atmosphere not subject to excessive pollution by smoke, chemical or flammable fumes; salt-laden spray; prolonged periods of high humidity or other abnormal conditions.
- 4 Not suitable for exposure to direct radiation from the sun or other source of heat likely to raise the temperature above the designated ambient, nor may it be suitable for subjection to excessive vibration.

**Where service conditions differ from those prescribed above the advice of the manufacturer or responsible vendor should be sought.**

## Batch code explanation

yyWxx Manufacturing date code, year of manufacture (yy) and week of manufacture (Wxx)



## Address / Helpline

Workstation power and ergonomics quotations and  
Technical Support:

**sales@cmd-ltd.com**

To speak to a member of our team, please call the  
number below and select the option required:

**+44 (0) 1709 829 511**

## Environmental protection



This symbol is known as the  
“Crossed-out Wheellie Bin”.

This product should not be disposed  
of with general household waste.

Some chemicals contained within  
electrical/electronic products can be  
harmful to health and environment.  
Only dispose of electrical/electronic  
items in separate collection schemes,  
which cater for the recovery and  
recycling of materials contained  
within. Your co-operation is vital to  
ensure the success of these schemes  
and for the protection of the  
environment.

---

# cmd.

[www.cmd-ltd.com](http://www.cmd-ltd.com)

### HEAD OFFICE

Eastwood Trading Estate  
Rotherham, South Yorkshire  
S65 1EN

+44 (0)1709 829 511  
sales@cmd-ltd.com

### LONDON SHOWROOM

3 Baltic Street East  
London  
EC1Y 0UJ

+44 (0)20 7251 7080  
sales@cmd-ltd.com

### SALES INTO EU

(EU) Luceco SE, C/ Bobinadora 1-5,  
08302 Mataró, SPAIN